

auto electrical parts

Technical Information Sheet

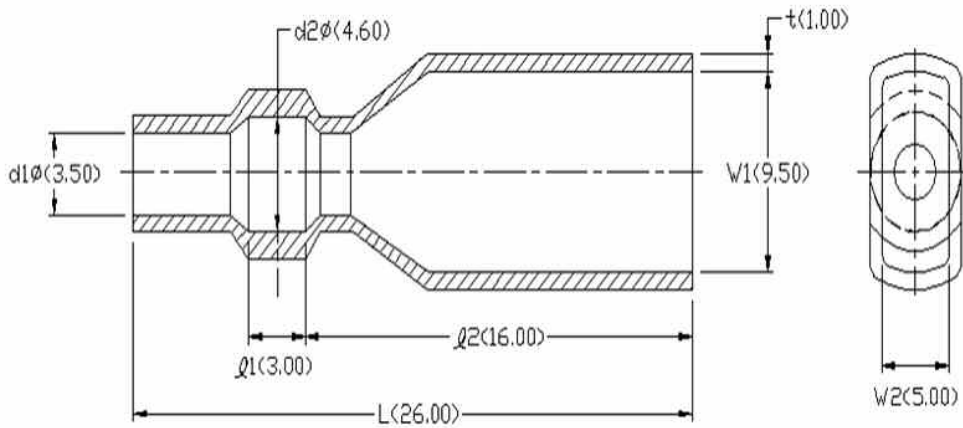
Part No. 0-005-21

Clear PVC Insulator for 6.3mm Terminals, Push-on

Pk50



Technical Drawing (not to scale)



Specification

Size	6.3mm
Material	PVC
Weight	60.0g per Pk
Pack Qty	50
Dimensions	(See above in mm)

The information contained in this document is correct to the best of our knowledge at the time of printing. However, specifications may change at any time without notice.